

Model 3500 & 4000, 1 MW EBM PAPT

V/C/P	208/60/3	230/60/3	460/60/3
(A)	H4	H4	H4
(B)	H3	H2	H1
(C)	3 AMP	2.5 AMP	1.25 AMP
(D)	9 AMP	9 AMP	5 AMP

Model 4500 thru 6000, 2 MW EBM PAPT

V/C/D	480/60/3
(A)	H4
(B)	H1
(C)	1.25 AMP
(D)	15 AMP

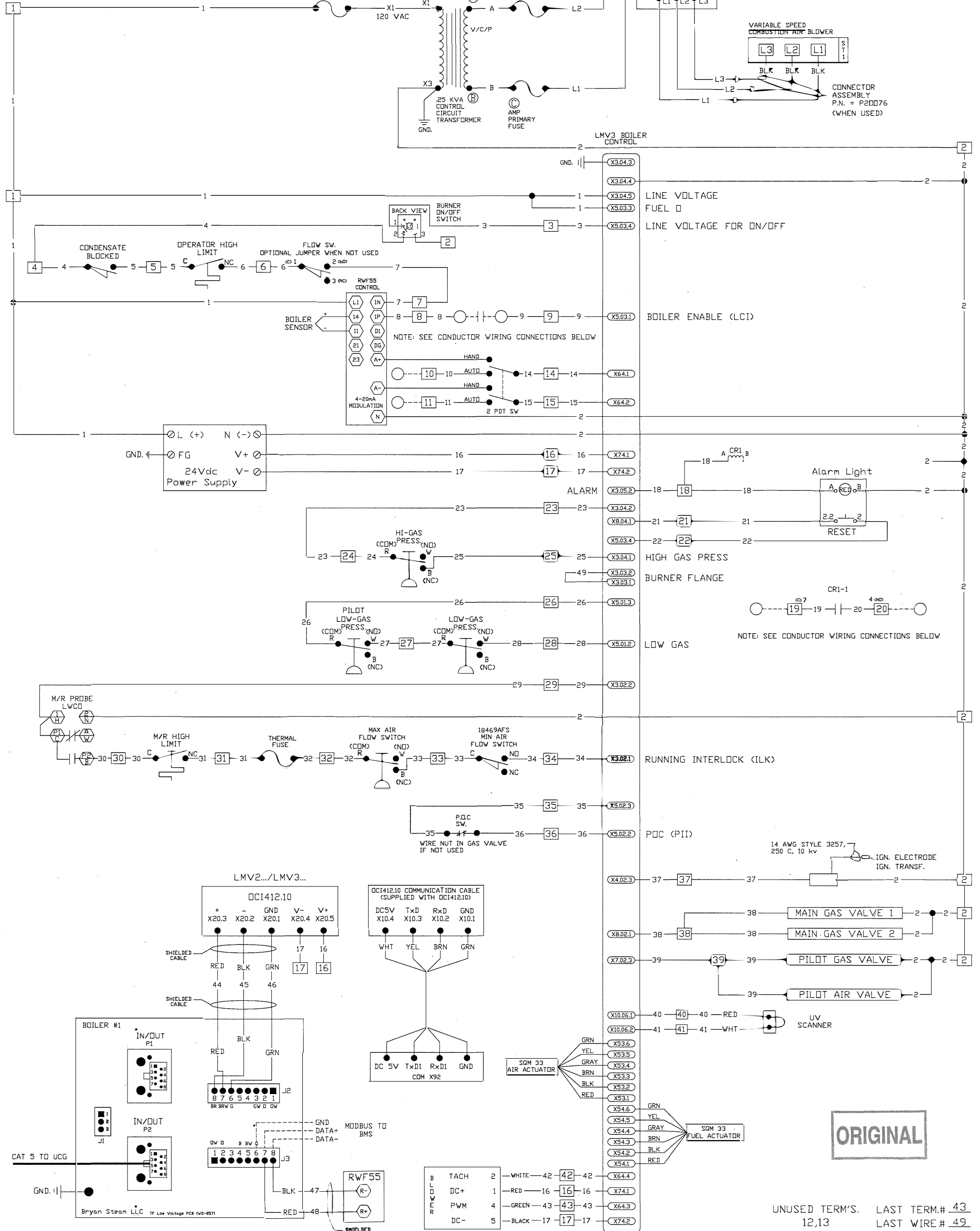
(1) IMPORTANT: THE WIRING SHOWN FOR DEVICES SUPPLIED AND INSTALLED BY OTHERS IS SUGGESTED ONLY. CERTIFICATION OF, AND RESPONSIBILITY FOR, THE CORRECTNESS OF THE WIRING IS THE RESPONSIBILITY OF THE SUPPLIER OF THESE DEVICES. BRYAN STEAM ACCEPTS NO RESPONSIBILITY FOR THE CORRECTNESS OR SAFETY OR EXECUTION OF THIS WIRING OR OF THE OPERATION OF SUCH DEVICES.

(2) IF ANY OF THE ORIGINAL WIRE AS SUPPLIED WITH THIS APPLIANCE IS REPLACED, IT MUST BE REPLACED WITH TYPE AF (105°C) OR ITS EQUIVALENT.

(3) BOILER MUST BE GROUNDED IN ACCORDANCE WITH ANSI NATIONAL ELECTRIC CODE.

(4) WHEN A HEADER SENSOR AND A OUTDOOR TEMPERATURE SENSOR WILL BE USED ON A MULTIPLE BOILER SYSTEM, THE HEADER SENSOR WILL CONNECT TO THE BOILER THAT WILL HOST THE MASTER AND THE OUTDOOR TEMPERATURE SENSOR WILL CONNECT TO ANY OF THE REMAINING BOILERS.

- = CONNECTOR ASSY. PLUG OR SHIELDED CABLE
- = WIRE NUT SPLICE
- = INDICATOR PANEL
- = TERMINAL STRIP
- = LMV3 TERMINALS
- = CONDUCTOR TERMINALS
- = RWF55 TERMINALS
- = FIELD WIRING



REVISION #1
 APPROVED BY: [Signature]
 DATE: 11-30-18
 DRAWN BY: ALW
 DATE: 5/31/18
 SCALE: NONE
 SHEET: FS
 DWG NO: WD-877

BRYAN STEAM LLC
 783 North Chilli Avenue Peru, IN 46970

ARCTIC/FREEFLEX (3500-6000)
 WIRING DIAGRAM
 LMV3

UNUSED TERM'S. LAST TERM.# 43
 12,13 LAST WIRE # 49

CONDUCTOR WIRING CONNECTIONS

Terminal	Wire Color	Terminal	Wire Color
BLR 1 B11	White	BLR 1 B1	B2
BLR 2 B13	Red	BLR 2 B3	B4
BLR 3 B15	Green	BLR 3 B5	B6
BLR 1 B19	White	BLR 1 B1	B2
BLR 2 B21	Red	BLR 2 B3	B4
BLR 3 B23	Green	BLR 3 B5	B6

4-20mA MODULATION

Terminal	Wire Color	Terminal	Wire Color
10	White	11	Red
11	Red	12	Green
12	Green	13	Black